





भारत सरकार  
एमएसएमई परीक्षण केन्द्र  
सूक्ष्म लघु एवं मध्यम उद्यम मंत्रालय  
कुर्ला अंधेरी मार्ग साकी नाका  
मुंबई- 400 072

पत्र संख्या: एमएसएमई-पके/मुंबई/२०१५-१६/६२०

दिनांक: ०७/०३/२०१६

मेसर्स,  
Unique Diecasting Products Pvt. Ltd.,  
A/569, T.T.C. Indl. Area, MIDC,  
Mahape, Navi Mumbai

कृपया जॉब ऑर्डर संख्या क्र. CSC/EL/330/01/2015-16 पत्र के संदर्भ में जांचे गये उत्पाद की टेस्ट रिपोर्ट क्र. CSC/EL/330/01/2015-16 (कुल रिपोर्ट (स) 1) आपको प्रेषित की जा रही है।

प्राप्ति की रसीद भेजें।

संलग्न:- टेस्ट रिपोर्ट

कृते निदेशक  
NKS  
08.3.16

**NIRMAL KUMAR SAHU**  
Asst. Director (Genl.)  
Govt. of India, Min. of MSME  
MSME Testing Centre (WR)  
Mumbai - 400 072.

**एम एस एम ई परीक्षण केन्द्र (प.क्षौ),**

सूक्ष्म, लघु एवं मध्यम उद्यम मंत्रालय,

भारतसरकार,

कुर्ला-अंधेरी रोड, साकीनाका, मुम्बई - 400 072

टेलीफोन: 022 - 28570588, 28576998

फैक्स : 022 - 28572238.

e-mail : dctc-wr@dcm sme.gov.in



**MSME TESTING CENTRE (W.R),**

Ministry of Micro, Small & Medium Enterprises,

Government of India,

Kurla Andheri Road, Saki Naka,


Mumbai - 400 072.

Tel.: 022 - 28570588, 28576998

Fax: 022 - 28572238.

Web: www.msme tc mumbai.gov.in

**परीक्षण रिपोर्ट  
TEST REPORT**

रिपोर्टसंख्या / Report No CSC/EL/330/01/2015-16	जारी करने की तिथि / Date of Issue 07.03.2016	कुल पृष्ठ संख्या / Total Page Nos. 5
1. कार्य संख्या / Job Order No.:	CSC/EL/330/01/2015-16	
2. तिथि / Date :	14.01.2016	
<b>C U S T O M E R</b>	3. नाम / M/s. :	Unique Diecasting Products Pvt. Ltd.,,
	4. पता / Address :	A/569, T.T.C. Indl. Area, MIDC, Mahape, Navi Mumbai
	5. अनुरोध पत्र संख्या/ Request letter No. :	UDP-MSME-001
	6. तिथि / Date :	12.01.2016
	7. सैंपल - कोड / Sample Code (if any) :	NIL
8. टी. आर. 5 संख्या / T. R. 5 No. :	804	
तिथि / Date :	14.01.2016	
9. द्वारा जारी / Issued by :	Signature 	

**NIRMAL KUMAR SAHU**

Asstt. Director (Chem.)

Govt. of India, Min. of MSME

MSME Testing Centre (WR)

**N.B.:**

1. This report pertains to the particular sample submitted for test.
2. This report shall not be reproduced in part or full.
3. The Test / Calibration Report shall not be used for Legal purpose and shall not be produced in the court of law.
4. Tested sample(s) should be collected within 30 days from issue of this report failing which no claim whatsoever & no Correspondence in matter shall be entertained and such samples(s) will be disposed as per Govt. Procedure.



## टेस्ट रिपोर्ट/Test Report

रिपोर्ट नं./Report No. : CSC/EL/330/01/2015-16

दिनांक /Date : 14.01.2016

सैंपल - विवरण /  
Sample Description : Thermocouple Head  
Drg. No. :UD-PC-12-2700 and UD-PC-12-27001

मात्रा /Quantity: : 1 No.

किया गया परीक्षण /  
Test Conducted : Degree of Protection IP 68

परीक्षण विशिष्ट /  
Test Specification : IS/IEC -60529:2001 Standard Specification for Degree of protection provided by Enclosures(IP Code) & As per Customer's Requirement

मानक का संशोधन, यदि कोई हो  
Amendment of Standards, if any : Nil

परीक्षण प्रारंभ दिनांक/  
Test Commencement Date : 25.02.2016

परीक्षण पूरा होने का दिनांक / Test  
Completion Date : 03.03.2016

## परिणाम / Results

क्रम संख्या Sr. No.	परीक्षण विवरण Test Description	मानक विशिष्ट Standard Specification	परीक्षण परिणाम Test Results	टिप्पणी Remarks
1	Product Identification	Thermocouple Head Drg. No. :UD-PC-12-2700 and UD-PC-12-27001	Thermocouple Head Drg. No. :UD-PC-12-2700 and UD-PC-12-27001	Satisfactory
2	Verification of Outer Dimension	Should be as per Drg. No. : UD-PC-12-2700 and UD-PC- 12-27001	Outer dimension found as per Drg. No. UD-PC-12-2700 and UD- PC-12-27001	Satisfactory

द्वारा जारी  
Issued by  
**T. R. SHARMA**

**Dy. Director (MECH.)**  
MSME Testing Centre (WR)  
Min. of MSME, Govt. of India  
Authorized Signatory  
Mumbai-400 072.



Report No. : CSC/EL/330/01/2015-16

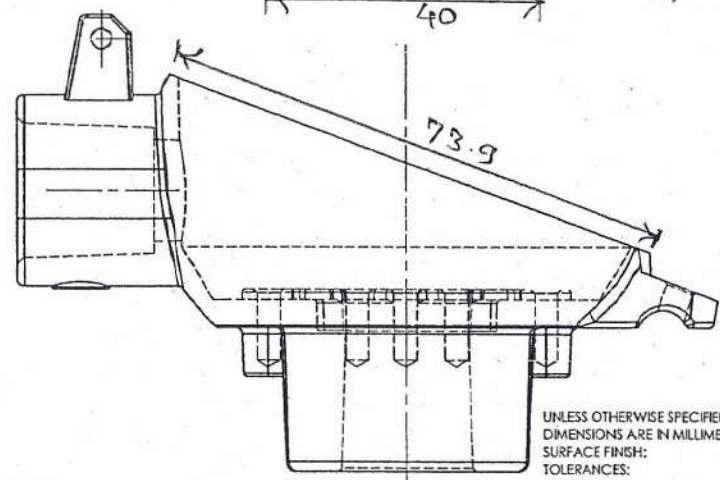
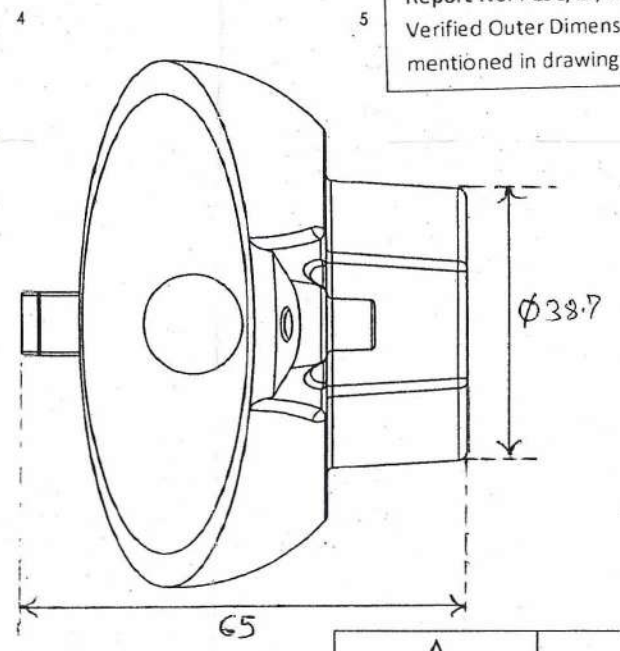
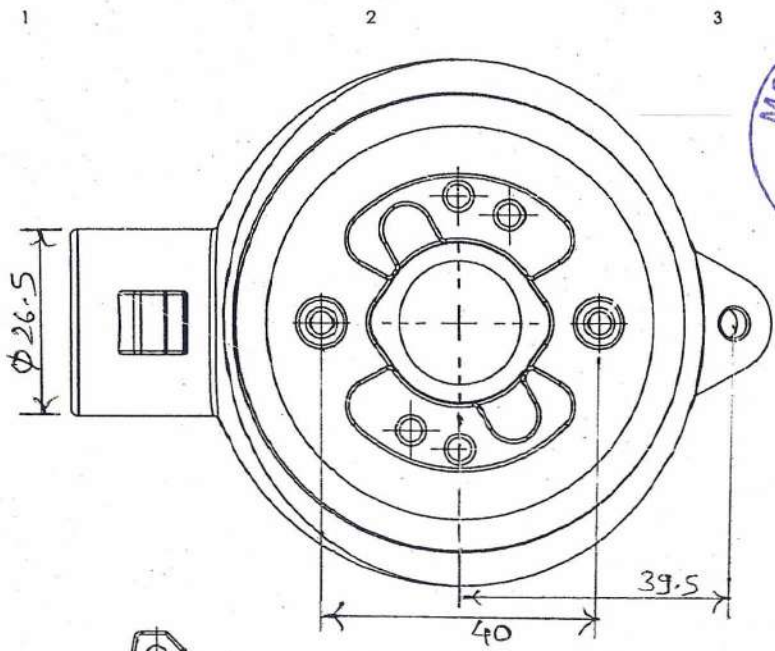
## परिणाम / Results

क्रम संख्या Sr. No.	परीक्षण विवरण Test Description	मानक विशिष्ट Standard Specification	परीक्षण परिणाम Test Results	* टिप्पणी Remarks
3	Degree of Protection IP-68 Test			
3.1	Degree of Protection Against Solid Foreign Object (Dust Tight Test) (IP 6X) (1 <sup>st</sup> Characteristic Numerals) (Cl. 5.2, Table 2 & Table 7) Test conducted as per Cl.13.4 of IS/IEC -60529:2001	Should not observe deposit of Dust inside the enclosure at the end of the test	No deposit of dust observed inside the enclosure after the test.	Satisfactory
3.2	Degree of Protection Against Water (IP X8): (2 <sup>nd</sup> Characteristic) (Cl.6, Table 3 & Table 8) Protected against the effects of continuous immersion in water Test conducted as per Cl.14.2.8 by completely immersing the equipment in water for the duration of 2 hrs (As per customer's requirement)	Should not ingress water in quantities causing harmful effects when the enclosure is continuously immersed in water  If any water has entered, it should not i)be sufficient to interfere with the correct operation of the equipment or impair safety ii)Deposit on insulation parts where it could lead to tracking along the creepage distances. iii)Reach live parts or winding not designed to operate when wet iv)Accumulate near the cable end or enter the cable if any	No ingress of water observed that would cause harmful effect	Satisfactory

**General Remarks :** The sample meets the requirements of IS/IEC -60529:2001 specification with respect to the test carried out.

द्वारा जारी  
T. R. SHARMA  
Issued by  
Dy. Director (MECH.)  
MSME Testing Centre (WR)  
Min. of MSME, Govt. of India  
Mumbai-400 072.  
Authorized Signatory

MSME Testing Centre, Mumbai  
 Report No. : CSC/EL/330/01/2015-16  
 Verified Outer Dimensions as per  
 mentioned in drawing



A	B
Rod Sensor	Cable
1/4"BSP	1/2"BSP
1/4"BSP	1/2"NPT
1/4"BSP	PG"11
1/4"BSP	3/4"ET
1/2"BSP	1/2"BSP
1/2"BSP	1/2"NPT
1/2"BSP	PG"11
1/2"BSP	3/4"ET

UNLESS OTHERWISE SPECIFIED:  
 DIMENSIONS ARE IN MILLIMETERS  
 SURFACE FINISH:  
 TOLERANCES:  
 LINEAR:  
 ANGULAR:

FINISH:

DEBUR AND  
 BREAK SHARP  
 EDGES

DO NOT SCALE DRAWING REVISION

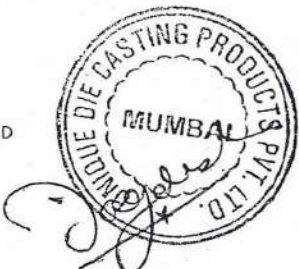
UNIQUE DIECASTING PRODUCTS  
 PVT.LTD.

	NAME	SIGNATURE	DATE
DRAWN	S.BUDAR		27/12/15
CHK'D	S.BUDAR		27/12/15
APPVD			
MFG			
QA			

QTY. 1NO.  
 MATERIAL: AL

Page 4 of 5

TITLE: FLAP TYPE THERMOCOUPLE BODY  
 DWG NO. UD-PC-15-12-2700



*TR*  
 27/12/16  
**T. R. SHARMA**  
 Dy. Director (MECH.)  
 MSME Testing Centre (WR)  
 Min. of MSME, Govt. of India  
 Mumbai-400 072.

WEIGHT:

SCALE:1:1

SHEET 1 OF 1

A4

1

2

3

5

A

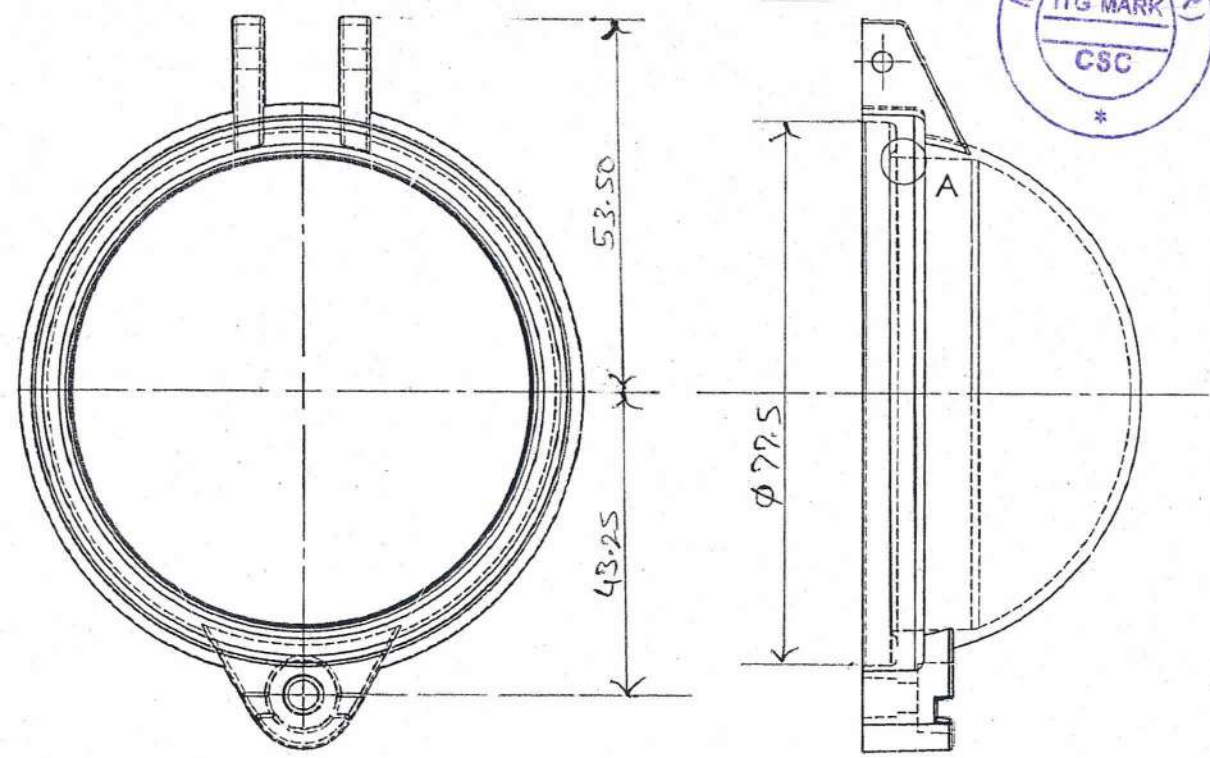
B

C

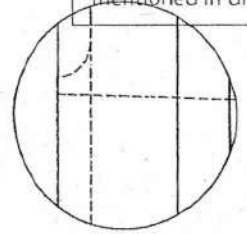
A

B

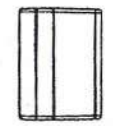
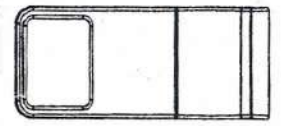
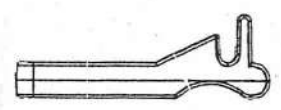
C



MSME Testing Centre, Mumbai  
 Report No. : CSC/EL/330/01/2015-16  
 Verified Outer Dimensions as per  
 mentioned in drawing



DETAIL A  
 SCALE 5 : 1



UNLESS OTHERWISE SPECIFIED: FINISH: DEBUR AND BREAK SHARP EDGES  
 DIMENSIONS ARE IN MILLIMETERS SURFACE FINISH: TOLERANCES: LINEAR: ANGULAR:

	NAME	SIGNATURE	DATE
DRAWN	S.BUDAR		27/12/15
CHK'D	S.BUDAR		27/12/15
APPVD			
MFG			
QA			

QTY.    INO.  
 MATERIAL:    AL  
 WEIGHT:

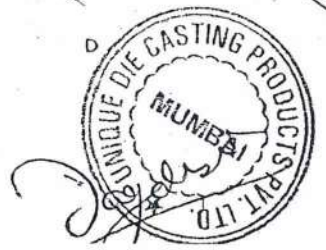
DO NOT SCALE DRAWING      REVISION  
**UNIQUE DIECASTING PRODUCTS PVT.LTD.**

TITLE:  
**FLAP TYPE THERMOCOUPLE COVER**

DWG NO.    **UD-PC-15-12-27001**

SCALE:1:1      SHEET 1 OF 1

Page 5 of 5



**T. R. SHARMA**  
 Dy. Director (MECH.)  
 MSME Testing Centre (WR)  
 Min. of MSME, Govt. of India  
 Mumbai-400 072.